



PATEL CORPORATION
MANUFACTURING OF CONSTRUCTION EQUIPMENT



MANUFACTURING OF CONSTRUCTION EQUIPMENT

Page No. 01 UV Markings



PATEL CORPORATION
MANUFACTURING OF CONSTRUCTION EQUIPMENT



MANUFACTURING OF CONSTRUCTION EQUIPMENT

www.rmcplant.in

+91 9662242440 | +91 7622099943/42 | +91 9898011784

COMPANY INTRODUCTION

ABOUT US

Patel Corporation is one of India's leading infrastructure backbone company committed to provide international standards and global technological advancements to the Indian infrastructure companies. Today, a segment-leading pipeline and strong in-house development capabilities allow Patel Corporation to compete with some of the biggest portfolios in the industry. Established in the year 2015, Patel Corporation is a renowned manufacturer, supplier and exporter of a wide array of Construction Machinery like Batching Plant, Concrete Batching Plant, Mobile Concrete Batching Plant, Concrete Mixers, Cement Silo, Concrete Weigh Batch Feeder, and Road Construction Equipment like Asphalt Drum Mix Plant, Mobile Asphalt Drum Mix Plant, Wet Mix Plant, Bitumen Sprayer, Mechanical Broomer, etc. Our comprehensive product range is widely used in various application areas such as in construction of roads, dams, bridges, flyovers, industrial buildings, home townships, hospitals, hotels and institutions. All products are manufactured in facility having 10,500 square meter of build up area and equipped with industrial shed, overhead cranes, CNC shearing and bending machines. We use quality raw material, which is procured only from certified vendors. We have successfully installed concrete batching plants & Reversible mixers across India & we have a wide network of sales & after sales services at various locations to meet the requirements of our clients.

Our comprehensive product range includes

- Static Type Concrete Batching Plant Capacity 20/30/45/60/90/120 Cum/Hr.
- Mobile Type Concrete Batching Plant Capacity 20/25/30/45 Cum/Hr.
- Patel Eco Series Capacity 20/30 Cum/Hr.
- Cement and Fly Ash Storage Silo 40/60/100/150 MT.
- Feeding conveyer

Our Mission

We Strive To Bring The Finest Technological Products With A Focus To Deliver Complete Construction Equipment Solution, To Gain Trust Of The Client By Providing Superior Quality Product Backed By 24 X 7 Service Support And To Build Strong And Long Term Relationship With All Associates Across The Value Chain

Our Vision

Our Vision Is To Provide Quality Products And Excellent Services Which Reduces Human Efforts To Build Better Society

Technical Specifications Of PATEL Make In-line Models 30/45/60

S.No	MODEL	PATEL - 30	PATEL - 45	PATEL - 60
1.	Concrete output/hr (Under ideal condition and continuous operation)	30 m3	45 m3	60 m3
2.	Aggregate storage system A.) Aggregate storage bins B.) Vibrator motor	Compartment Bin 4 Nos./30 m3 1 Nos.	Compartment Bin 4 Nos./45 m3 1 Nos.	Compartment Bin 4 Nos./60 m3 1 Nos.
3.	Aggregate storage system & Conveying A.) Weighing hopper B.) Electromagnetic load cell	Yes 4 Nos.	Yes 4 Nos.	Yes 4 Nos.
4.	Mixer Unit A.) Type B.) Capacity C.) Side & Bottom lining D.) Mixing & Side scrapper blade	Pan / Planetary 750/500 Anti wear Anti wear	Pan / Planetary Twin shaft 1250/750 Anti wear Anti wear	Pan / Planetary Twin shaft 1500/1000 Anti wear Anti wear
5.	Cement/Flyash weighing system A.) Cement/Flyash Hopper capacity B.) Electromagnetic load cell C.) Vibrator motor	300 kg 3 Nos. 1 Nos.	450 kg 3 Nos. 1 Nos.	650 kg 3 Nos. 1 Nos.
6.	Cement screw conveyor with Bag hopper	Yes/30 Bags	Yes/50 Bags	Optional
7.	Pneumatic system : Air compressor	2HP	3HP	5HP
8.	PLC based control panel	Yes	Yes	Yes
9.	Water weighing system A.) Water hopper capacity B.) Electromagnetic load cell	200 Ltr. 3 Nos.	300 Ltr. 3 Nos.	350 Ltr. 3 Nos.
10.	Additive system A.) Weighing container capacity B.) Loadcell	3 Ltr. 1 Nos.	8 Ltr. 1 Nos.	10 Ltr. 1 Nos.
11.	Connected Load for standard Plant - hp	52.5	60	100
12.	Controlled cabin	Yes	Yes	Yes
13.	Required DG set	82	100	150



**Right Mix of
Speed
Flexibility &
Quality**



Twin Shaft Mixer

- Most advanced mixing solution capable of handling From high to zero slump concrete.
- The floor and full wall of the mixer are lined with Special water resistant and replaceable plates, long Service life and low operating cost.
- Emergency manual discharge facility.
- Robust design ensures high reliability.

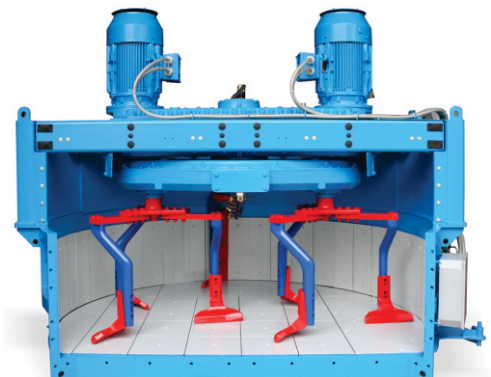


Pan Mixer

- Newly designed pan mixer with outer and inner Scrapper for perfect mixing.
- The floor and full wall of the mixer are lined with Special water resistant and replaceable plates.
- Long service life and low operating cost .
- Detachable arms and easy fittings.
- Easy for maintenance • rubber lined arms.

Planetary Mixer

- Italian designed SICOMA make planetary mixers. large pan volume mixer small to full capacity loads
- With equally fast mixing and discharge times. More Production per hour.
- Compulsory mixing action gives better strength to Concrete.
- Triple armed stars give faster more through Mixing action.
- Anti wear liner tiles are harder and giving much longer life More years of production.
- Hydraulically operated rubber sealed discharge door Eliminate leakage, close reliably every time Manual lever backup.



Weighing and Batching system

- Consist of
 - Aggregate weighing hopper
 - Cement / fly ash weighing hopper
 - Additive weighing container



PLC Based Control Panel With Cabin



- PLC based panel with HMI display and computer
- All motors are protected through MPCBs
- Ammeters for all critical motors
- Easy to calibrate scale
- Facility for life long data saving in USB
- Auto offset facility
- Accurate, reliable and easy to use
- Gate inching facility for more weighing accuracy.
- Auto - Manual & Manual - Auto operation
- High speed weighing
- PLC based control panel (SCADA)

PLC Based Control Panel With Cabin

- PLC based panel with HMI display and computer
- All motors are protected through MPCB
- Ammeters for all critical motors
- Easy to calibrate scale
- Facility for life long data saving in USB
- Auto offset facility
- Accurate, reliable and easy to use
- Gate inching facility for more weighing accuracy.
- Auto-manual & Manual-auto operation
- High speed weighing
- PLC based control panel (SCADA)



Inline Stationary Batching Plant Patel - 60



Benefits :

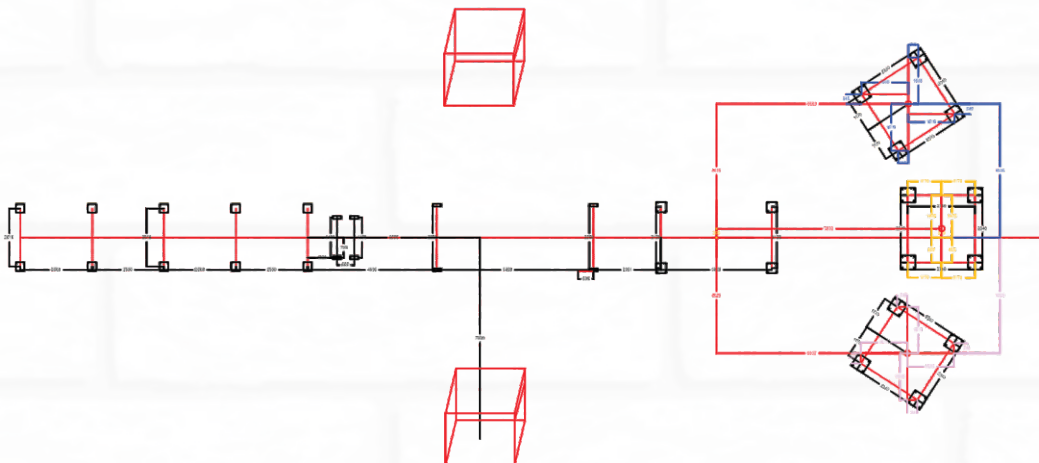
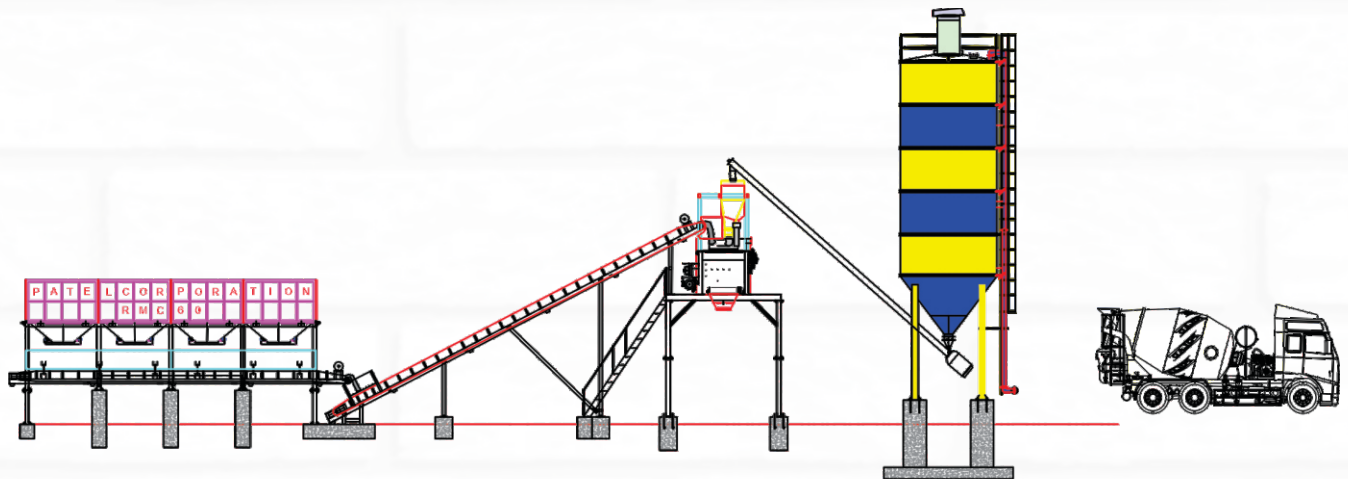
- Robust and steady structure made from square and rectangular tube for longer durability and protection from corrosion • Easy and quick to erect and operate • No foundation required
- Less space required for installation due to its compactness
- Easy maintenance and low running cost
- Single weighing and conveying belt for faster cycle time for more output
- MPCB provided for all electrical motor safety
- Quick exhaust valve fitted with all pneumatic cylinders to maintain accuracy in weighing system

Standard supply :

- Compartment type aggregate storage bins
- Weighing bin and conveyer
- Cement bag filling hopper with screw conveyor
- PLC based control panel with HMI display and Scada (Optional)
- Cement weighing hopper
- Water weight hopper
- Air compressor



Inline Stationary Batching Plant Patel - 60



Technical specifications for PATEL make

"Compact models 20/30/45"

S.No	MODEL	PATEL - 20	PATEL - 30	PATEL - 45
1.	Concrete output/hr (Under ideal condition and continuous operation)	20 m3	30 m3	45 m3
2.	Aggregate storage system A.) Aggregate storage bins B.) Vibrator motor	Cross Bin 4 Nos. 1 Nos.	Cross Bin 4 Nos. 1 Nos.	Cross Bin 4 Nos. 1 Nos.
3.	Aggregate storage system & Conveying A.) Weighing hopper B.) Electromagnetic load cell	Yes 4 Nos.	Yes 4 Nos.	Yes 4 Nos.
4.	Mixer Unit A.) Type B.) Capacity C.) Side & Bottom lining D.) Mixing & Side scrapper blade	Pan / Planetary 600/400 Anti wear Anti wear	Pan / Planetary Twin shaft 750/500 Anti wear Anti wear	Pan / Planetary Twin shaft 1250/750 Anti wear Anti wear
5.	Cement/Flyash weighing system A.) Cement/Flyash Hopper capacity B.) Electromagnetic load cell C.) Vibrator motor	300 kg 3 Nos. 1 Nos.	300 kg 3 Nos. 1 Nos.	400 kg 3 Nos. 1 Nos.
6.	Cement screw conveyor with Bag hopper	Yes/50 Bags	Yes/50 Bags	Yes/50 Bags
7.	Pneumatic system : Air compressor	2HP	2HP	2HP
8.	PLC based control panel	Yes	Yes	Yes
9.	Water weighing system A.) Water hopper capacity B.) Electromagnetic load cell	200 Ltr. 3 Nos.	300 Ltr. 3 Nos.	300 Ltr. 3 Nos.
10.	Additive system A.) Weighing container capacity B.) Loadcell	10 Ltr. 1 Nos.	10 Ltr. 1 Nos.	10 Ltr. 1 Nos.
11.	Connected Load for standard Plant - hp	50/80	55/80	60/80

Compact Batching Plant : Patel - 30/45



Benefits :

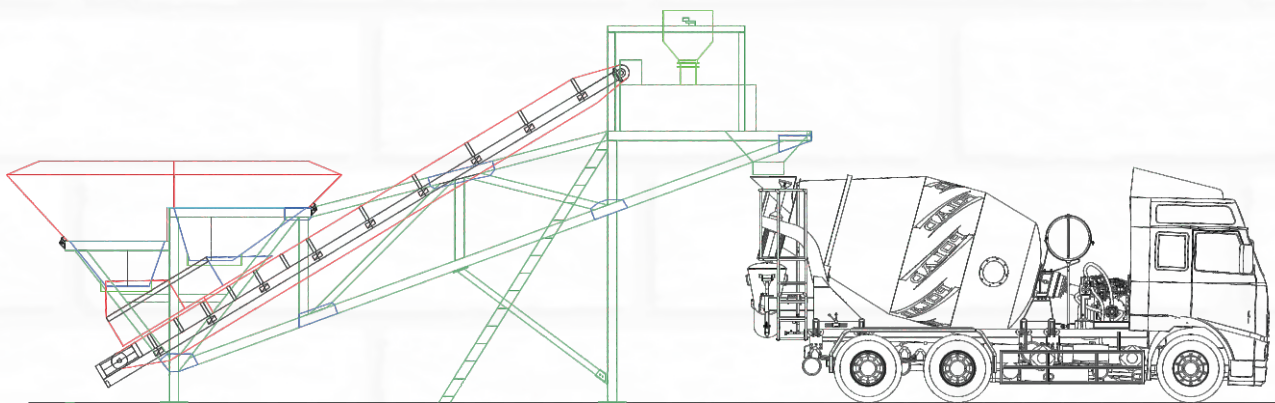
- Robust and steady structure made from square and rectangular tube for longer durability And protection from corrosion
- Easy and quick to erect and operate
- No foundation required
- Less space required for installation due to its compactness
- Easy maintenance and low running cost
- Single weighing and conveying belt for faster cycle time for more output
- MPCB provided for all electrical motor safety
- Quick exhaust valve fitted with all pneumatic cylinders to maintain accuracy in weighing system

Standard supply :

- Compartment type aggregate storage bins
- Weighing bin and conveyer
- Cement bag filling hopper with screw conveyor
- PLC based control panel with HMI display and Scada (Optional)
- Cement weighing hopper
- Water weight hopper
- Air compressor



Compact Batching Plant Patel - 30



Technical specifications for PATEL make "ECO - 20/30"

S.No	MODEL	ECO - 20	ECO - 30
1.	Concrete output/hr (Under ideal condition and continuous operation)	20 m3	30 m3
2.	Aggregate storage system A.) Aggregate storage bins B.) Vibrator motor	Compartment Bin 4 Nos. 1 Nos.	Compartment Bin 4 Nos. 1 Nos.
3.	Aggregate storage system & conveying A.) Weighing hopper B.) Electromagnetic load cell	Yes 1 Nos.	Yes 1 Nos.
4.	Mixer unit A.) Type B.) Capacity C.) Side and bottom lining D.) Mixing and side scrapper blade	Pan/Planetary 600/400 Anti wear Anti wear	Pan/Planetary/ Twin shaft 750/500 Anti wear Anti wear
5.	Cement/Flyash weighing system A.) Cement/Flyash Hopper B.) Electromagnetic load cell C.) Vibrator motor	300 kgs. 3Nos. 1 Nos.	300 kgs. 3Nos. 1 Nos.
6.	Cement screw conveyor with Bag hopper	Yes/30 Bags	Yes/30 Bags
7.	Pneumatic system : Air compressor	2 hp	2 hp
8.	PLC based control panel (Mobile panel)	Yes	Yes
9.	Water system A.) Water Hopper capacity B.) Electromagnetic load cell	200 Ltr. 3 Nos.	300 Ltr. 3 Nos.
10.	Additive system A.) Weighing container capacity B.) Load cell	10 Ltr. 1 Nos.	10 Ltr. 1 Nos.
11.	Connected Load for standard Plant - HP/Kva	50/80	55/80
12.	Required DG set - kva	62	82
13.	Required land area for batching plant (w/o storage)	12 x 12 mtrs	12 x 12 mtrs
14.	Mix material discharge height	1.5 mtrs	1.5 mtrs

Concrete Batching Plant Eco - 20/30 (On wheels - Optional)



Benefits :

- Robust and steady structure made from square and rectangular tube for longer durability and protection from corrosion
- Easy and quick to erect and operate
- No foundation required
- Less space required for installation due to its compactness
- Easy maintenance and low running cost
- Single weighing and conveying belt for faster cycle time for more output
- MPCB provided for all electrical motor safety
- Quick exhaust valve fitted with all pneumatic cylinders to maintain accuracy in weighing system
- Easy mobility hence easy site shifting

Standard supply :

- Compartment type aggregate storage bins
- Weighing bin and conveyer
- Cement bag filling hopper with screw conveyor
- PLC based control panel with HMI display and Scada (Optional)
- Cement weighing hopper
- Additive weighing container
- Water weight hopper
- Air compressor

Standard supply :

- Admixture dosing system
- Water connection
- Discharge conveyer
- Towing system with wheels
- Computer
- Printer

Cement Silo / Flyash Silo 50 to 200 Tons



Cement & Flyash storage system is widely used to store Loose Cement & Flyash. It is used in concrete batching plant, Flyash brick plant, AAC block plant & Hot mix plant. The structure of silo is made from MS steel plate material with having top man hole provision & bottom butterfly valve provision. Silo comes with inner & outer ladder which is used to clean or inspect the silo.

We are providing cement & flyash storage silo from 50 ton capacity to 200 Ton capacity as per client requirement.



Solution for silo feeding systems & Silo Accessories & Flyash / cement Bulker Unloading System

Twin Lobe Compressor

We offer pneumatic conveying systems for cement bulker unloading twin lobe high volume low pressure blower makes it easy to unload the bulkers within hour. Reduce the dependability on the availability of compressor mounted bulkers only. This model comes with 40 hp & 50 hp motors depend on capacity.

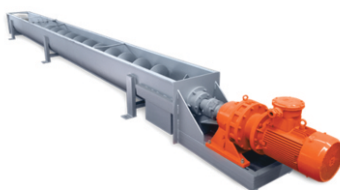


Bag feeding system

We also offer vertical & inclined screw feeding Systems for cement bag feeding systems to silos Compare to other pneumatic bag/bulk feeding system the connected electrical load is 1/5 for same feeding rate Most cheaper solutions in terms of tons/electric power.



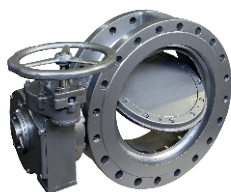
Dust collector



Screw conveyor



Pressure relief valve



Butterfly valve



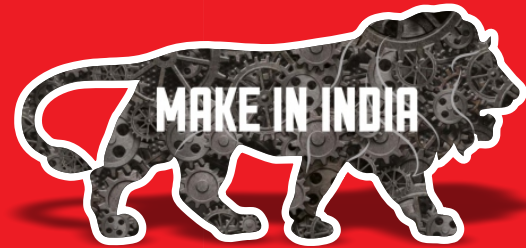
Aeration & Vibrating pad



Level indicator

CONTACT US

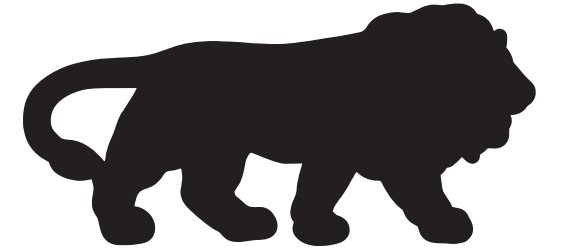
- +91 9662242440
- +91 7622099943/42
- +91 9898011784
- patelcorporation2013@gmail.com
- www.rmcpplant.in
- Survey No -722, At Post - Udalpur, Ta. Vishnagar, Dist - Mehsana, Opp. Udalpur Village Gate, Vishnupura Road, Udalpur - 384001, Gujarat, INDIA.



PATEL CORPORATION
MANUFACTURING OF CONSTRUCTION EQUIPMENT



Page No. 16 UV Markings



PATEL CORPORATION
MANUFACTURING OF CONSTRUCTION EQUIPMENT

